



**GLOBAL MACHINERY**

[www.hyundai-ce.com](http://www.hyundai-ce.com)

Electric Towing / Platform Trucks

**40T/15P**



\* Photo may include optional equipment.

 **HYUNDAI**  
HEAVY INDUSTRIES CO.,LTD.





*The Environmentally-Friendly Electric Towing / Platform Trucks*

## ***Revolutionizing productivity in the material industry!***

**Maximize the productivity of your business with our powerful and agile electric trucks.**

With our vast experience in the production of construction equipment, Hyundai is able to meet the demands of our customers.

40T/15P, produced by Hyundai, are economical, environmentally friendly and allow for convenient maintenance. Also their improved maneuverability and quiet operation make these products one of the most widely-used towing maintenance truck in trade and distribution companies around the world.



■ The anti-rollback function ensures smooth restarting even on slope's without moving reverse.

■ Anti-roll off: This feature is designed so that a stopped vehicle pointing down hill will not gather speed after releasing the brake pedal. This by using generated electrical current as braking power. Even by driving down hill the system will control your speed.

■ Adapting DC-DC CONVERTER CHARACTERISTIC

- High frequency (Silent operation)
- Protection against short circuit, overload, reverse polarity
- IP67 protecting rating
- Improvement of safety & performance during operation
- Improvement of maintenance & durability

## ***Hyundai Tow/Platform Truck Series***

**40T/15P**

## Quiet and Environmentally-Friendly 40T/15P

Hyundai's electrical powered towing/platform trucks provide quiet and environmental friendly operation in all kinds of business; from automotive till alimentation factories.



### Information holder

A right hand side area can be used to hold administration papers during work.



### Adjustable Steering Wheel

For maximum operator's comfort, the steering wheel can be adapted to the required position.



### Accelerator

A contact less accelerator system is installed to enhance durability of the machine.



### Side steps

Anti slip side steps are designed for safe and easy access to your truck.



### Quick and easy oil check

Oil maintenance made easy due to an easy access port.



### Front wheel hydraulic power-steering

The hydraulic powered steering reduces operators fatigue and gives quick and easy directional control.



### Optimum operator space

Human engineering created an optimum driver space which gives a car alike feeling.



### Instrument panel

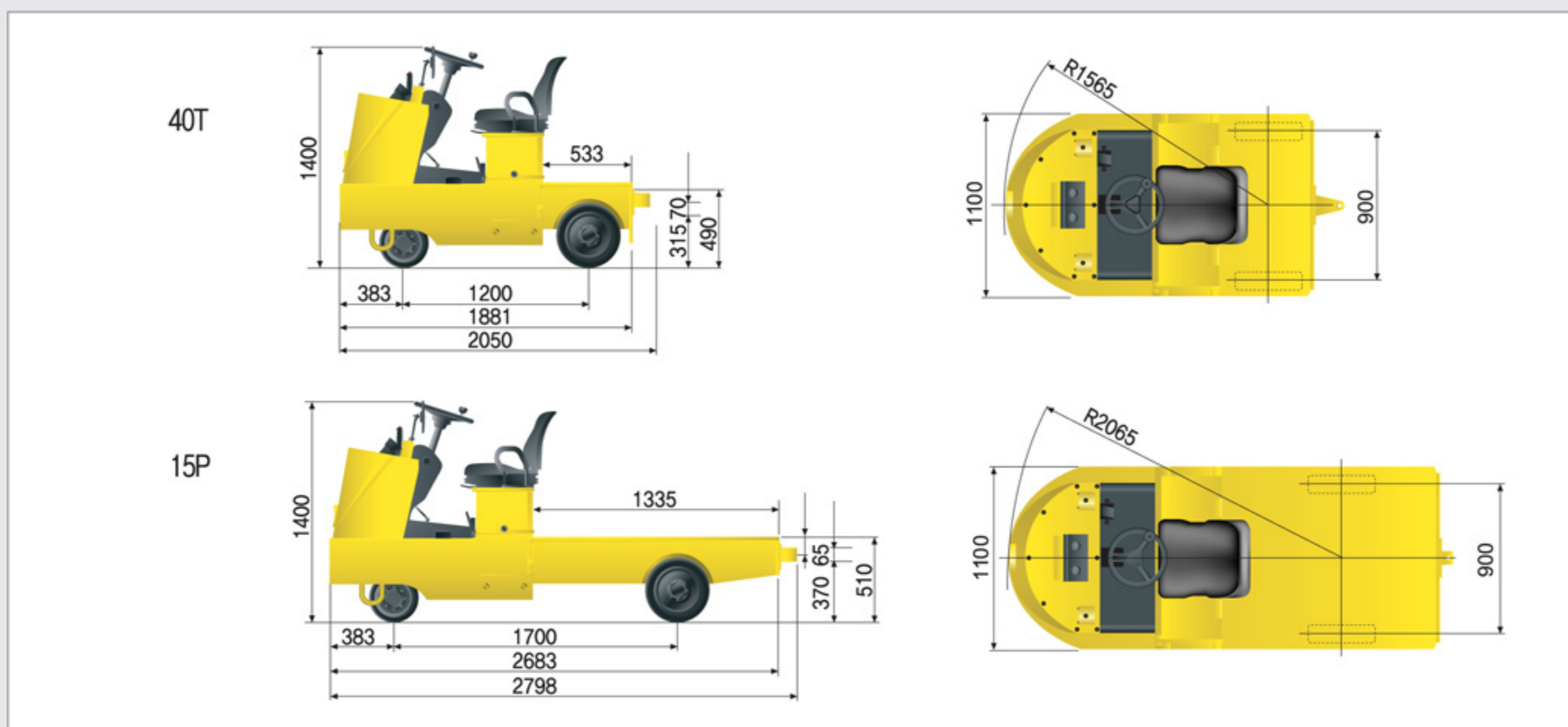
All switches and indicators are centralized in a well arranged instrument panel.



### Parking Brake System

The parking lever requires less effort from the operator to set.

## Dimensions



## Specifications

| Description  |                        | Unit     | 40T          | 15P           |     |
|--------------|------------------------|----------|--------------|---------------|-----|
| PERFORMANCE  | Capacity               | kg       | 4,000        | 1,500         |     |
|              | Travel Speed           | Loaded   | km/h         | 8             | 8   |
|              |                        | Unloaded | km/h         | 10            | 10  |
|              | Outside Turning Radius | mm       | 1,565        | 2,065         |     |
| DIMENSION    | Overall Length         | mm       | 2,050        | 2,798         |     |
|              | Overall Width          | mm       | 1,100        | 1,100         |     |
|              | Overall Height         | mm       | 1,400        | 1,400         |     |
|              | Wheel Base             | mm       | 1,200        | 1,700         |     |
|              | Wheel Tread – Rear     | mm       | 900          | 900           |     |
|              | Weight(Unloaded)       | kg       | 1,250        | 1,200         |     |
| POWER TRAIN  | Drive Motor            | kw       | 2.7          | 2.7           |     |
|              | Battery                | Voltage  | V            | 48            | 48  |
|              |                        | Capacity | AH/5HR       | 280           | 280 |
| Control Type |                        | -        | S.E.M        | S.E.M         |     |
| TIRE         | Size, Front            | -        | Φ 305x127(1) | Φ 305x127(1)  |     |
|              | Size, Rear             | -        | 4.00-8(2)    | 5.00-8-8PR(2) |     |

\* Materials and specifications are subject to change without notice. Metric is precise but U.S. standard may be rounded.

• Option: Beacon lamp, Front Urethane tire, Non-Marking Tire and Cargo-deck, Suspension seat, Head guard.



**GLOBAL MACHINERY**

ООО «Глобал Машинери»  
 125502, Россия, г. Москва, улица Петрозаводская,  
 дом 9, корп.2, офис 8  
 тел./факс: +7(495) 775-76-55, +7(495) 644-76-74  
 info@gm-rus.org, www.pogruzchik-hyundai.ru

ООО «Глобал Машинери» - Официальный дистрибьютор техники Hyundai Heavy Industries Co., Ltd. в России